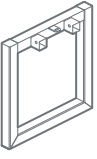
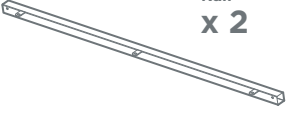
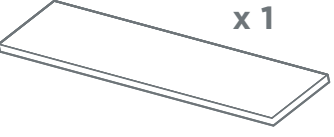






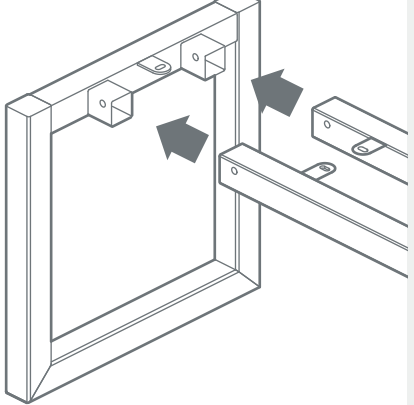


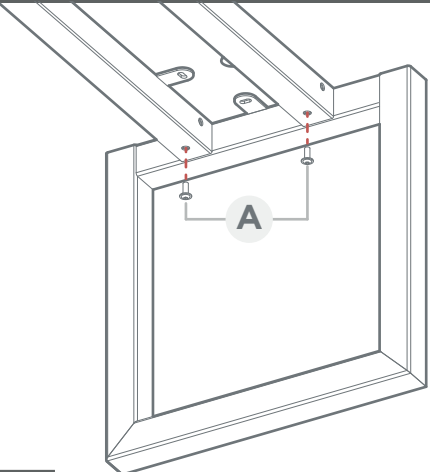
COMPONENTS		TOOLS REQUIRED		
 Leg Frame x 2	 Rail x 2	 Bench Top x 1	 Angled Support Bar x 2 <small>(Poseur table only)</small>	
 Socket Flanged Button Screw M6 x 16 x 12 A	 Socket Flanged Button Screw M6 x 50 x 4 B	 M6 Nut x 4 C	 M6 Allen Key	 M6 Socket Wrench/Drill

ASSEMBLY - TABLE/BENCH

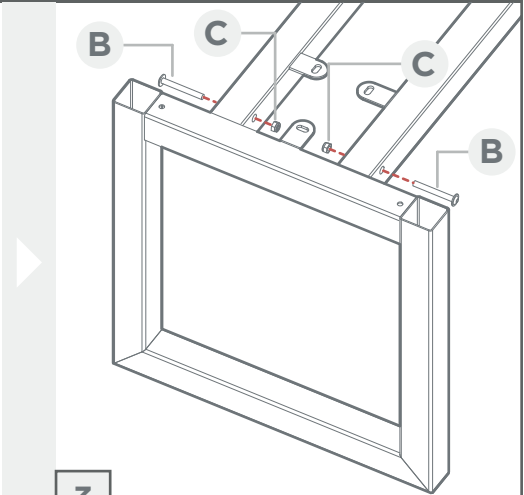
1




2

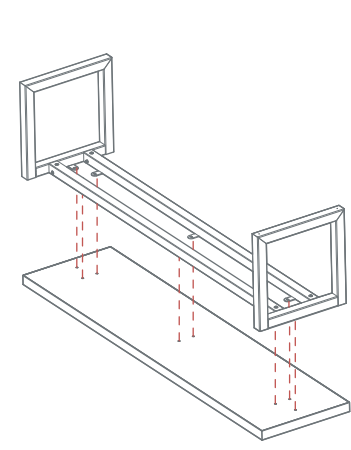


3

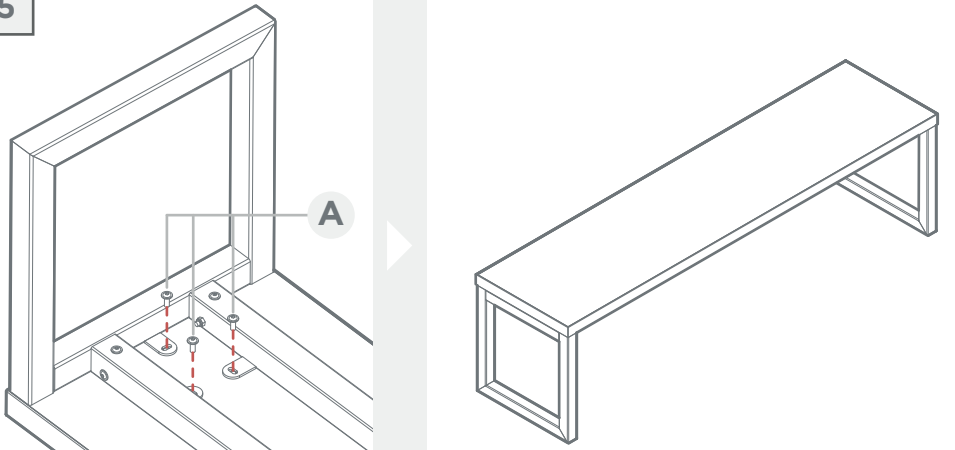




4

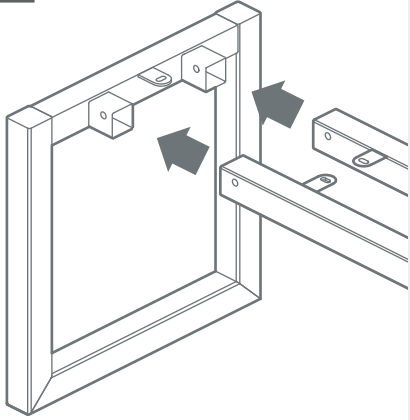


5

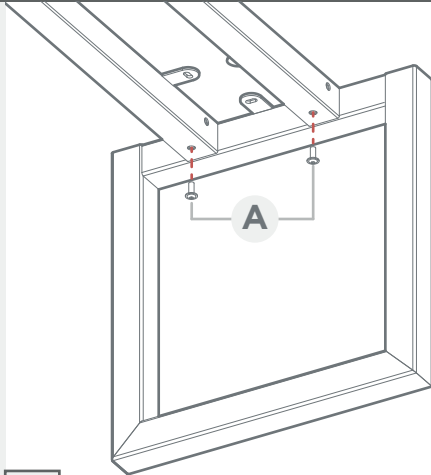


ASSEMBLY POSEUR TABLE

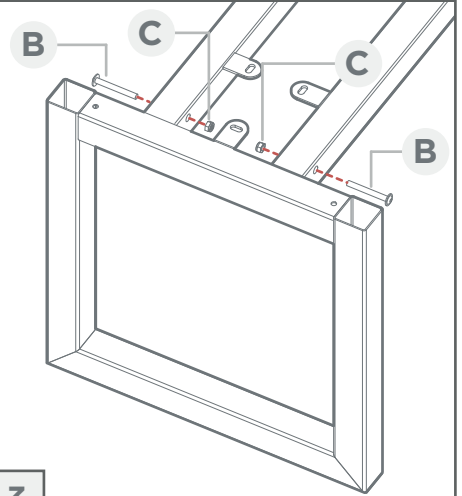
1



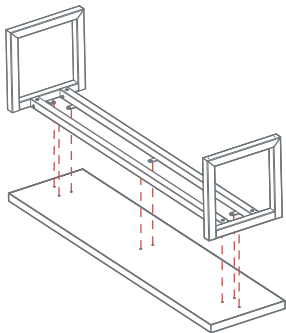
2



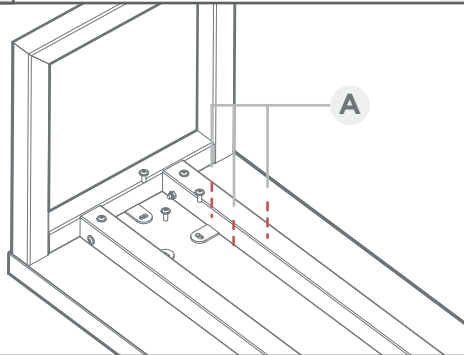
3



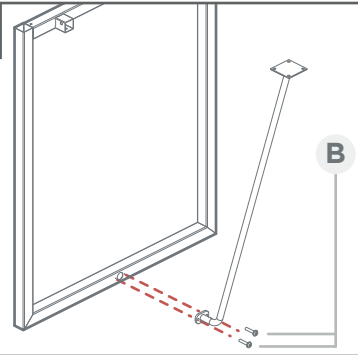
5



4



6



7

